



Item #: \_\_\_\_\_  
 Models: H286, H286S  
 Product Name: Starfire Series, 36" Wide, Medium Duty Gas Range

Input Rating Per Burner (Natural Gas)†								Operating Pressure			
Open*		Hot Top**		Griddle***		Oven		Natural		Propane	
BTU	kW	BTU	kW	BTU	kW	BTU	kW	"WC	mbar	"WC	mbar
24,000	7.03	18,000	5.27	18,000	5.27	30,000	8.78	4.5	11	10	25

Gas input ratings shown for installations up to 2000 ft., (610m), above sea level. Please specify altitudes over 2000 ft.

† All propane and natural gas BTU ratings are the same except for open burners (rated at 20,000BTU/5.86kW with Propane) Please specify gas type when ordering.

\* Two (2) burners per 12" (305mm) section

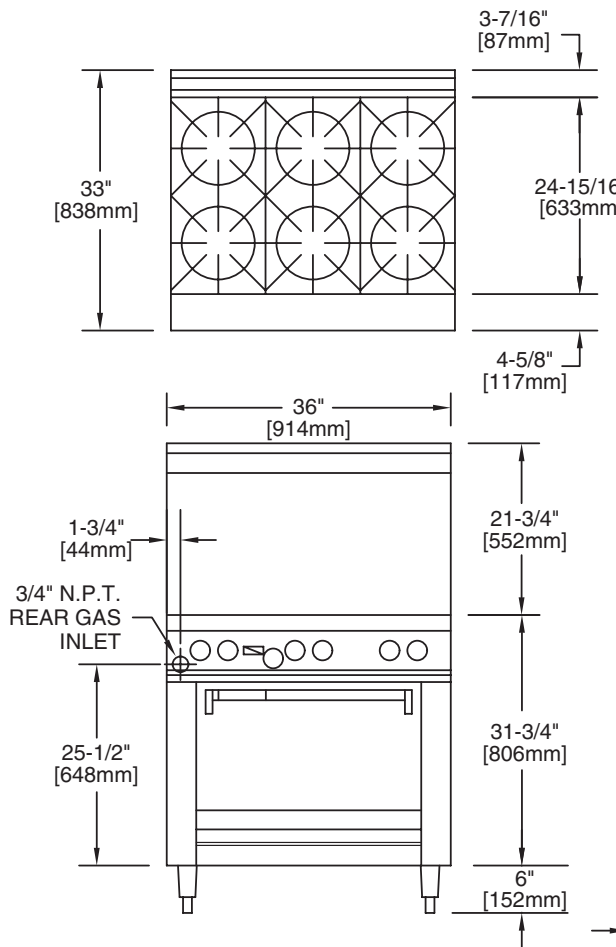
\*\* One (1) burner per optional 12" (305mm) section, (replaces 2 open burners); add suffix: -1, -2 or -3; standard on left

\*\*\* One (1) burner per 12" (305mm) of optional griddle width, (replaces 2 open burners); add suffix-12G, -24G or -36G, (valve control)-12TH, -24TH or -36TH, (thermostat control); Standard on right

Exterior Dimensions			Oven Interior Dimensions			Installation Clearances	
Height w/shelf	Width	Depth	Height	Width	Depth	Sides	Rear
59-1/2" (1511mm)	36" (914mm)	33" (838mm)	13-12" (343mm)	26-1/4" (667mm)	22" (559mm)	6" (152mm)	6" (152mm)

NOTE: Installation clearance reductions are applicable only where local codes permit.

MODEL	Shipping Wt.		Entry Clearances	
	Lbs.	Kg	Crated	Uncrated
H286	535	243	46" (1168mm)	34" (864mm)
H286S	385	175	46" (1168mm)	34" (864mm)
H286RC	585	266	46" (1168mm)	39" (991mm)



**Installation notes:** For RC oven add 5" (127mm) to overall depth. Electric characteristics: 1/3 HP motot ; 120VAC, single phase, 3.4 Amps. (6 Ft /1829mm power supply cord included)

**This product is not approved for residential use.**

