



Item #: \_\_\_\_\_  
 Model: H288 & H288S  
 Product Name: 48" Starfire Series  
 Medium Duty Gas Range

Input Rating Per Burner (Natural Gas)										Operating Pressure "WC/mbar	
Open*		Hot Top**		Griddle***		Oven RC or Std.		Oven Space Saver/oven			
BTU	kW	BTU	kW	BTU	kW	BTU	kW	BTU	kW	Natural	Propane
24,000	7.03	18,000	5.27	18,000	5.27	30,000	8.78	25,000	7.32	4.5/11	10/25

Gas input ratings shown for installations up to 2000 ft., (610m), above sea level. Please specify altitudes over 2000 ft.

† All propane and natural gas BTU ratings are the same except for open burners (rated at 20,000BTU/5.86kW with Propane) Please specify gas type when ordering.

\* Two (2) burners per 12" (305mm) section

\*\* One (1) burner per optional 12" (305mm) section, (replaces 2 open burners); add suffix: -1, -2, -3 or -4 standard on left

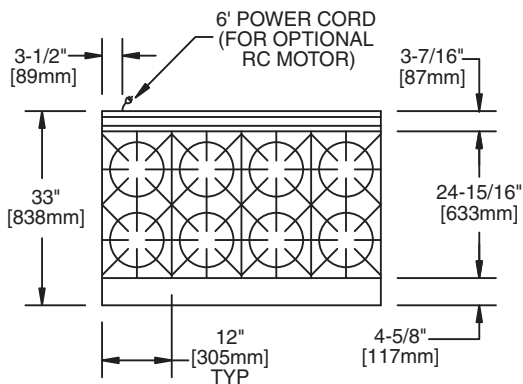
\*\*\* One (1) burner per 12" (305mm) of optional griddle width, (replaces 2 open burners); add suffix: -12G, -24G, -36G or -48G, (valve control)/-12TH, -24TH, -36TH or -48TH (thermostat control); standard on right

Exterior Dimensions			Oven Interior Dimensions			Installation Clearances	
Height w/shelf	Width	Depth	Height	Width <sup>1</sup>	Depth	Sides	Rear
59-1/2" (1511mm)	48" (1219mm)	33" (838mm)	13-1/2" (343mm)	20-1/4" (514mm)	22" (559mm)	6" (152mm)	6" (152mm)

<sup>1</sup> Space Saver Oven width. Standard oven width 26-1/4" (667mm)

NOTE: Installation clearance reductions are applicable only where local codes permit.

Model	Shipping Wt.		Entry Clearances	
	Lbs.	Kg	Crated	Uncrated
H288	700	318	46" (1168mm)	34" (864mm)
H288S	550	249	46" (1168mm)	34" (864mm)
H288RC	750	340	46" (1168mm)	39" (991mm)



**Installation notes:** For RC oven add 5" (127mm) to overall depth. Electric characteristics each RC oven: 1/3 HP motor; 120VAC, Single phase, 3.4 Amps (6 Ft /1829mm power supply cord provided.)

This product is not approved for residential use.

